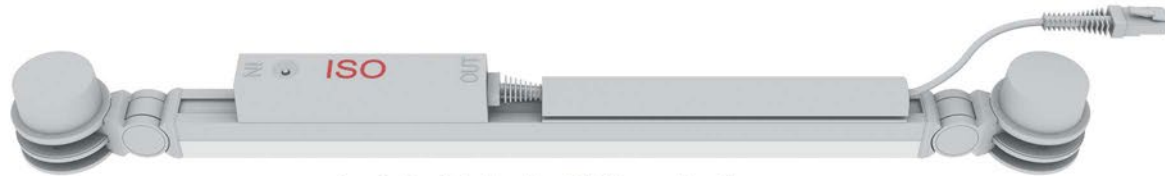
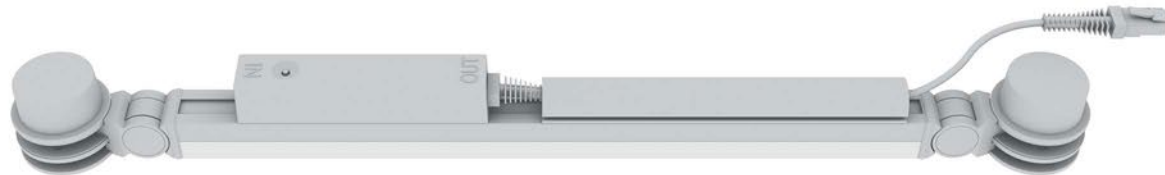


LIGEO™ SLC & TW, Installation Guide

DMX Unboxing



Isolated tube to DMX controller



Standard tube



Driver



Power Hinge

Connector Hub



Configuration Cable
USB-XLR



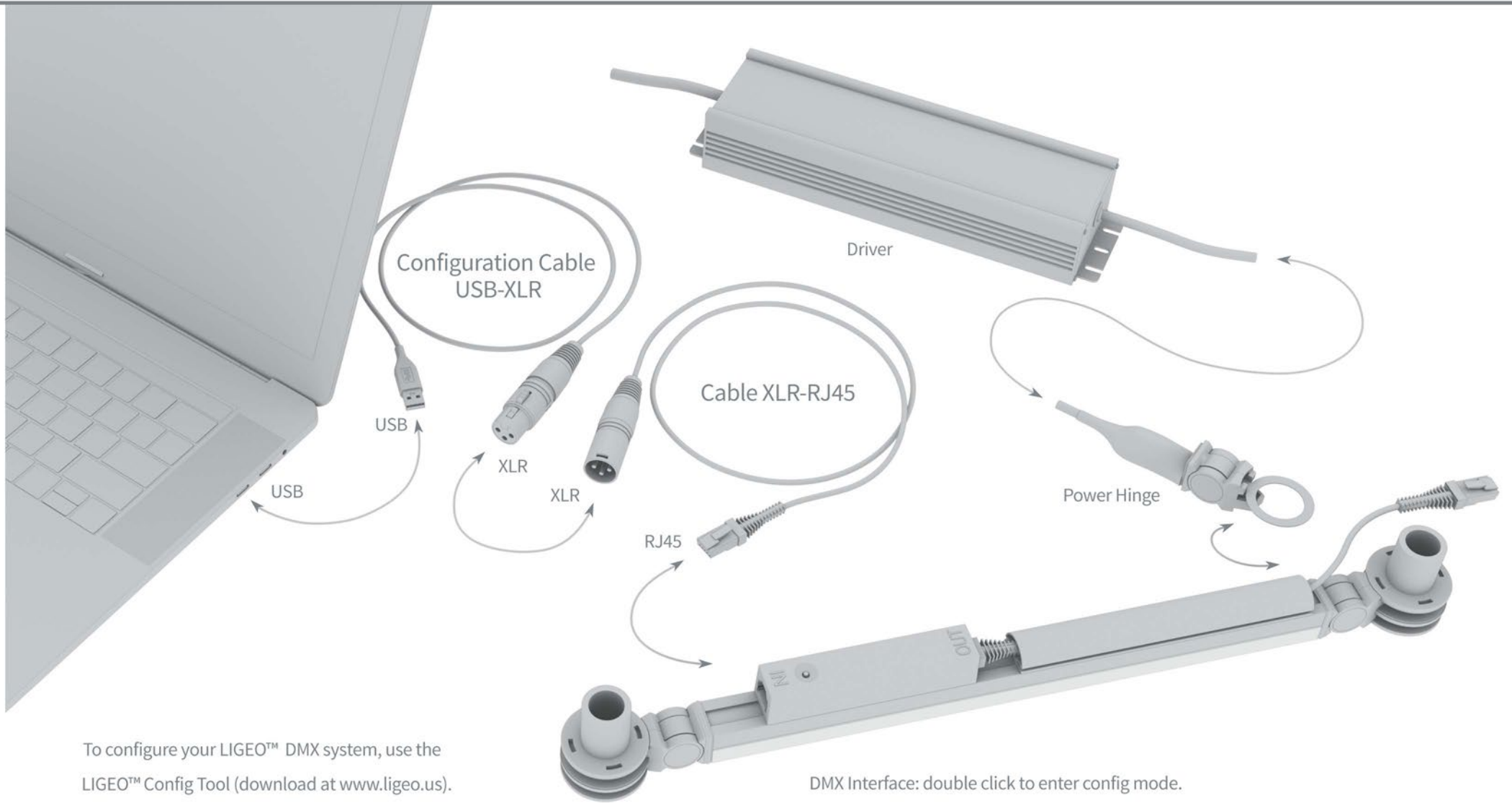
Cable XLR-RJ45



PC powered with Windows
Supplied by Customer

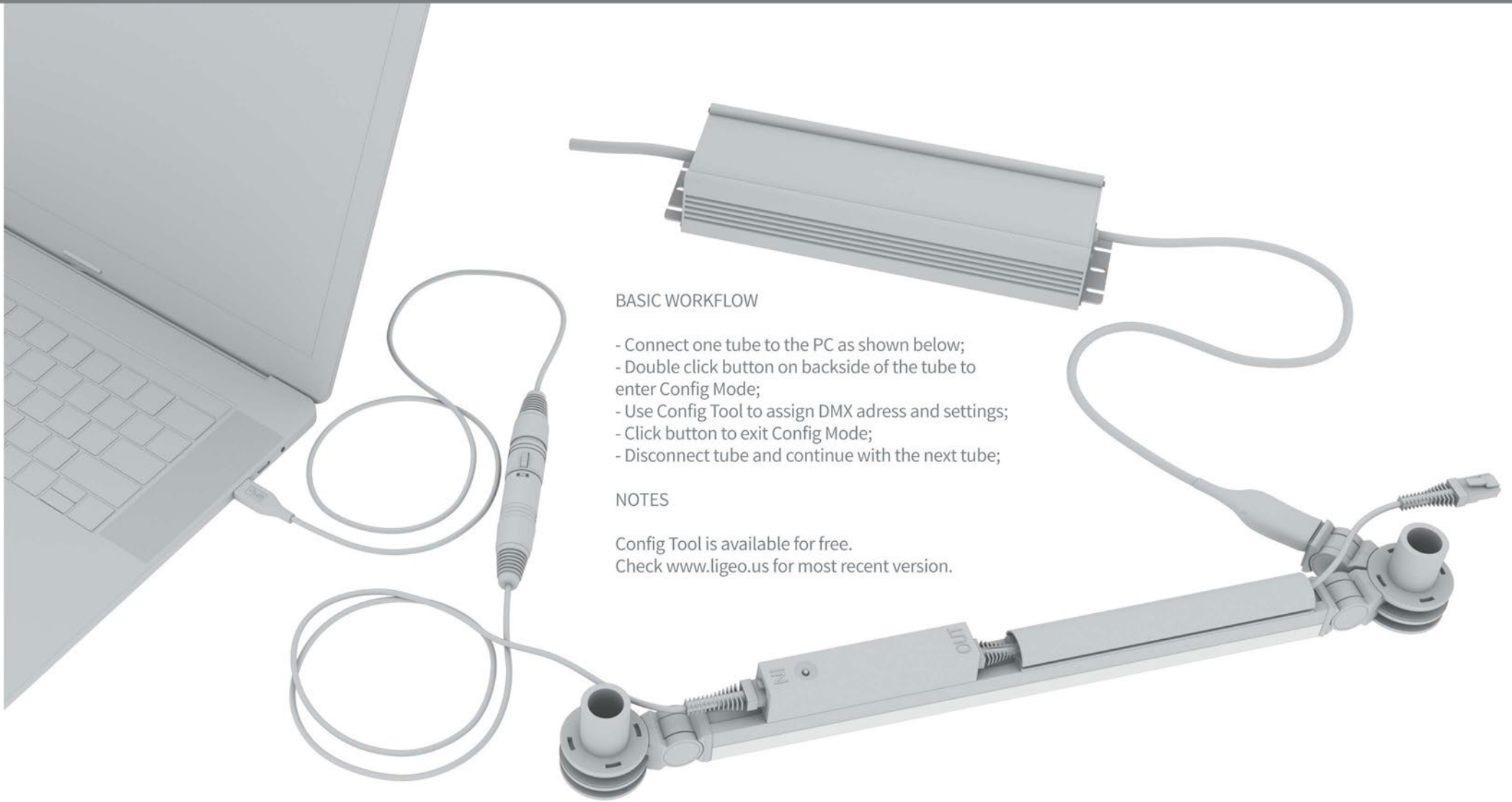
LIGEO™ SLC & TW, Installation Guide

DMX Wiring Up



LIGEO™ SLC & TW, Installation Guide

DMX Connecting All Together



BASIC WORKFLOW

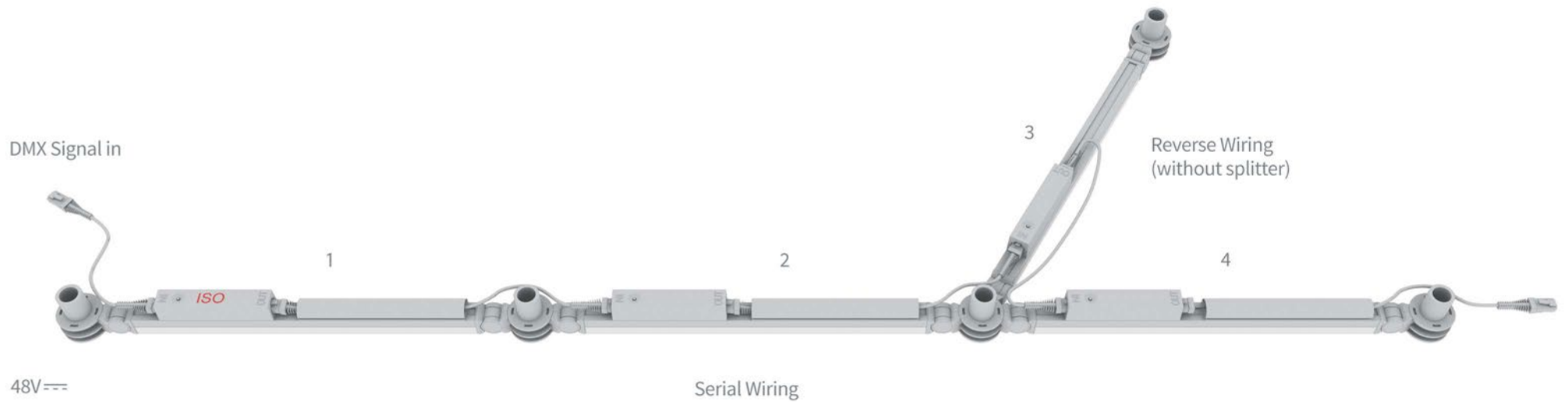
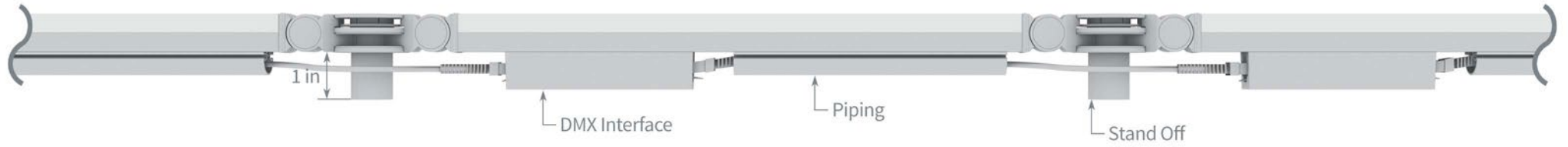
- Connect one tube to the PC as shown below;
- Double click button on backside of the tube to enter Config Mode;
- Use Config Tool to assign DMX adress and settings;
- Click button to exit Config Mode;
- Disconnect tube and continue with the next tube;

NOTES

Config Tool is available for free.
Check www.ligeo.us for most recent version.

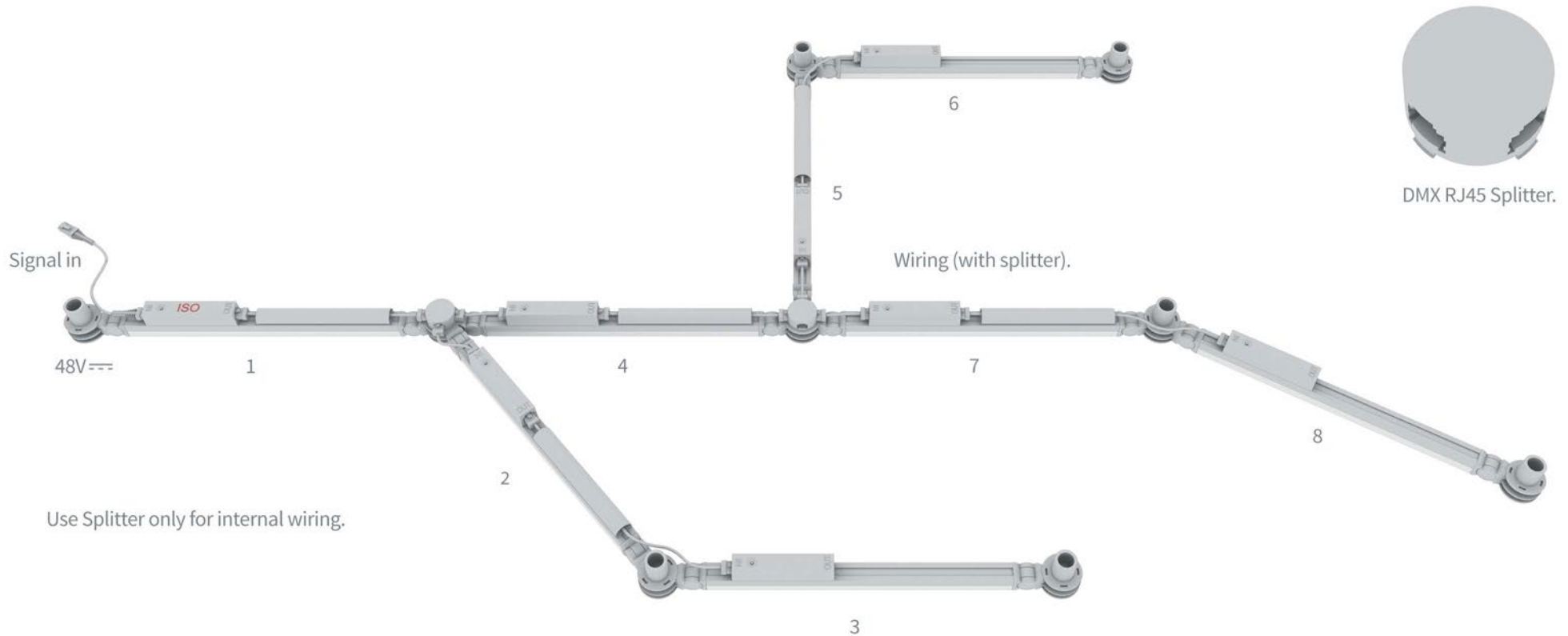
LIGEO™ SLC & TW, Installation Guide

DMX Wiring Serial



LIGEO™ SLC & TW, Installation Guide

DMX Wiring Serial



Use Splitter only for internal wiring.

NOTES

GENERAL NOTES:

- All electrical connections must be adapted to local requirements and the corresponding basic insulation must be provided.
- The light source of this luminaire is not replaceable.
- When the light source reaches its end of life, the whole luminaire should be replaced.
- Make all electrical and hub connections with power off.
- Use isolated screws for all connected power hubs.
- 4 lbs max. load per LIGEO™ SL.
- Mount one of both caps (flat cap or high cap- both for free in the delivery of each hub) on free-floating hubs.



High Cap



Flat Cap

DMX SYSTEM NOTES:

- The integral DMX interface is part of the luminaire and cannot be replaced.
- If the DMX interface is damaged the whole luminaire will need to be replaced.

POWER SUPPLY OPTIONS

- Max. 320W/hub.
- Electricity can be looped through.
- System not compatible with other lamps.
- Use only independent and certified control gears, according to the IEC 61347-2-13, with Constant Voltage SELV Output: 48 V DC.
- No unusual mechanical stresses on the cable.
- Isolate all open wire ends of power supply units.