

# LIGEO™ TW, Configurable Slim Line Dynamic White LED Surface & Pendant Mount

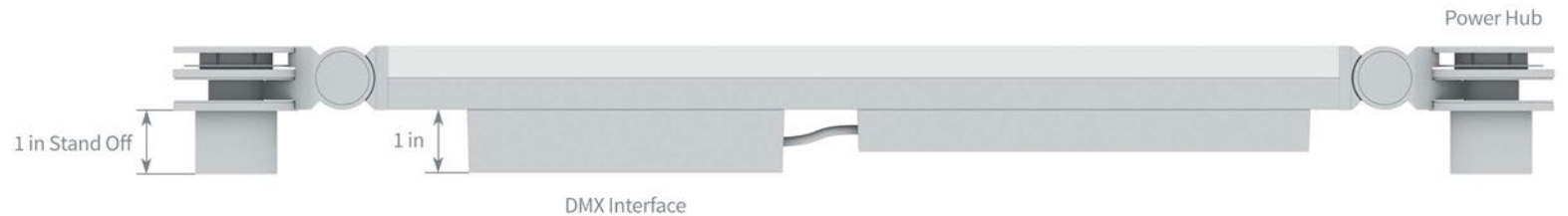


## Features & Benefits

The perfect marriage of form and function. The sleek 3/4" profile provides for a modern look and feel. The custom built high performance LED boards makes the TW suitable for general illumination with over 500 delivered lumens per foot. LIGEO™ TW features patented hub technology for quick and easy installation, with minimal wiring. Thoughtful engineering behind the hub design integrates both the electrical connection between fixtures and serves as the suspension or surface mounting points.

The LIGEO™ TW provides ultimate flexibility in shifting from warm to cool white light. Set the mood from day to evening in hospitality or commercial applications. Highlight merchandise in retail spaces with the color temperature the showcases best. With the LIGEO™ TW, the perfect shade of white is yours.

LIGEO™ TW



# LIGEO™ TW, Specification Guide

## Specifications

### Construction

- Extruded aluminum housing with injection molded hubs. Anodised metal finish.
- Acrylic lens and gasketed end caps.
- 4 lb maximum load per LIGEO™ TW.

### LED System

- Boards custom designed and fabricated for LIGEO™ TW.
- FR4 PCB with premium LEDs, RoHS compliant.
- 3000K - 5300K CCT range.
- Operating temperature ranges from 32° F to 104° F (0° C to 40° C).

### Lifetime & Warranty

- Lifetime calculated: L70 > 60,000 hours with an ambient operating temperature of 25° C.
- 5 year limited warranty. For details please see our warranty document.

### Electrical

- Constant voltage Class 2 driver.
- Standard 120-277V universal drivers.
- All fixtures require a power hinge. The power hinge has a 15' leader cable with flying leads.
- Power hinge leader cable is 2 conductor 13 AWG.
- Maximum 100 Watts per power hinge per UL, 320W per power hinge possible.
- Maximum distance from power hinge to driver is 100' using 13 AWG cable.

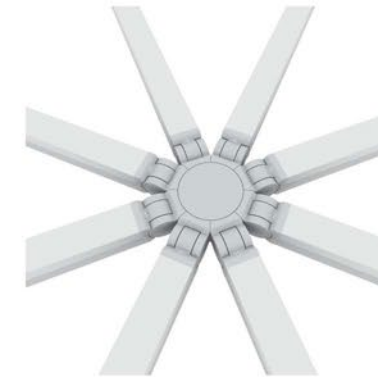
### Dimming

- Dimming range from 0 - 100%.
- DMX control device required for all TW installations.

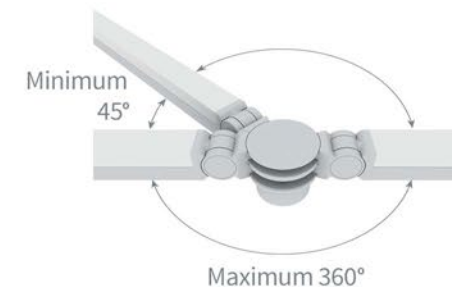
### Lables

- Listed to UL standards for dry locations only.

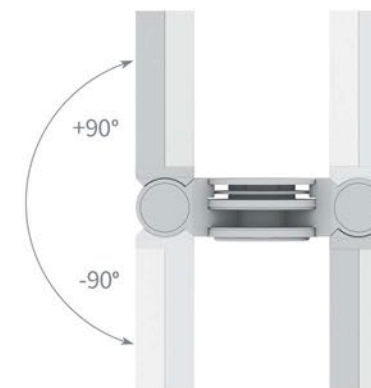
## Configuration Details



Maximum 8 fixtures  
per hub.



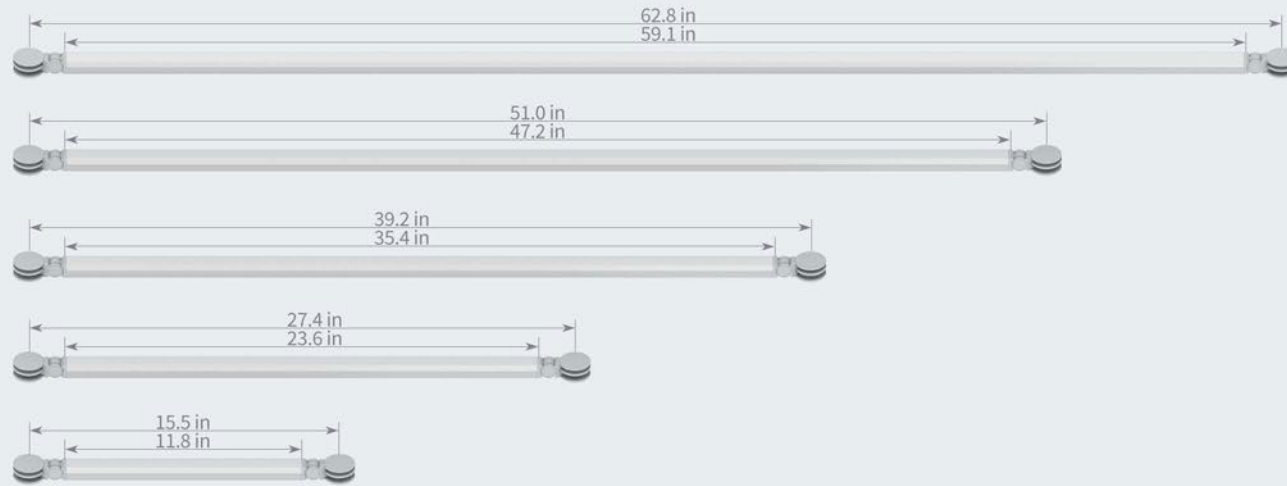
360° Rotation  
around each hub.  
Minimum 45°  
between fixtures.



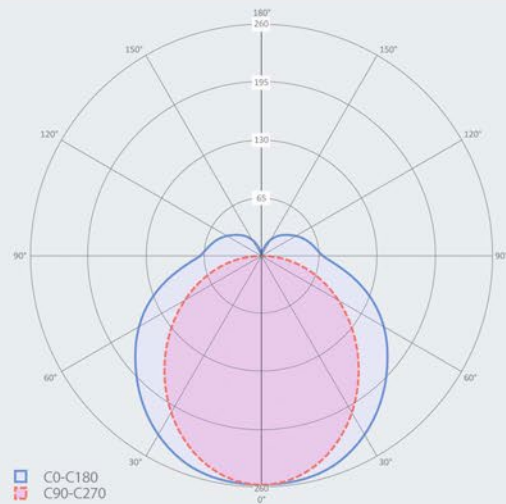
Maximum tilt 90  
up and down.

# LIGEO™ TW, Specification Guide

## Dimensions



## Photometry



### Polar Chart

Symmetrical lighting distribution in the C0-180 area (perpendicular to the longitudinal axis of the lamp) and the C90-270 area (along the longitudinal axis of the body of the lamp).

The light distribution and beam spread remains the same for all fixtures. Performance varies by length. Please refer to the part number matrix on page 4 for delivered lumens, LPW and wattage for each fixture.

Standard Finish: Black.

Custom colors are available upon request, please consult your sales representative for a quote.








## Color Specifications

Tunable White  
3000K - 5300K



# LIGEO™ TW, Specification Guide

## Part Numbers

	 Black Order Number	 Silver Order Number	 Gold Order Number	 White Order Number	Light Length (in)	Fixture Length (in)	Weight (lbs)	Delivered Lumens	Power (W)	Lumens Per Watt
TUNABLE WHITE	29003020350				11.8	15.5	0.3	517	6.3	82.1
3000K - 5300k	29006020350				23.6	27.4	0.5	1034	12.6	82.1
Tube Control DMX	29009020350	Available only on request	Available only on request	Available only on request	35.4	39.2	0.6	1551	18.9	82.1
	29012020350				47.2	51.0	0.8	2068	25.2	82.1
	29015020350				59.1	62.8	1.0	2585	31.5	82.1
ACCESSORIES					NOTES:					
Power Hinge Cable	39020180302				One Stand Off included with each hub.					
Connector Hub	39021000002				Isolated hubs prevent flow of current between fixtures that are tied to different power supplies and may be required for larger installations.					
Connector Hub isolated	39022000002	Available only on request	Available only on request	Available only on request						
Suspended Hub	39021001002									
Suspended Hub isolated	39022001002									
Config Cable	29000910510									
3 Pin XLR/RJ45 Cable	29000910540									

# LIGEO™ TW, Specification Guide

## Accessories & System Assembly

### Accessories



Suspension Hub.



Connector Hub.

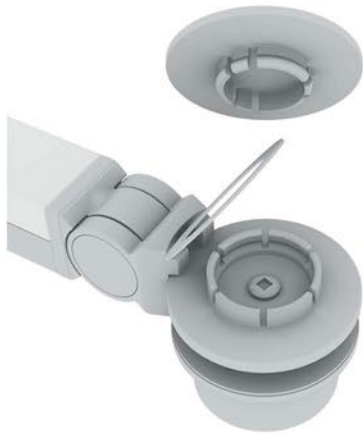


Power Hinge.



Stand Off.

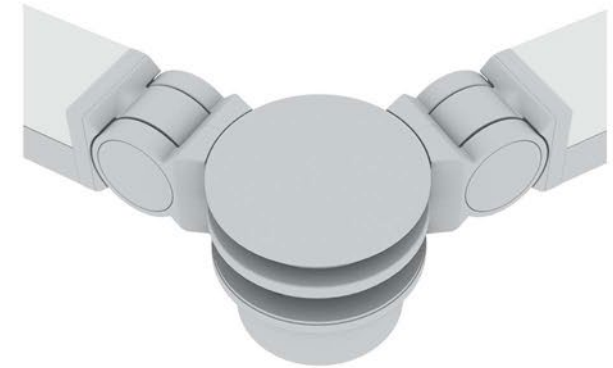
### System Assembly



Step 1: Lift metal ring and slide end of LIGEO™ TW into connector hub.



Step 2: Add LIGEO™ TW fixtures to connector hub as needed following step 1.



Step 3: Snap to cap onto connector hub to secure fixtures in place.

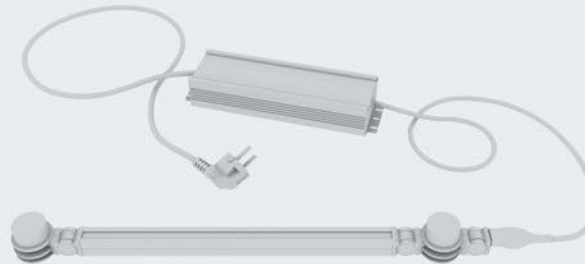
# LIGEO™ TW, Specification Guide

## Drivers & Driver Locations

Central power supply location recommended.



Max run length 17 feet per UL.  
Max run length 49 feet possible.



Max 100W per UL.  
Max 320W per driver possible.  
Multiple drives may be required.



## Driver

DMX control device required for TW installations.  
Control device provided by others.

## NOTES:

All drivers are remote. Max distance from driver to first fixture is 100 feet with 13 AWG cable.

Use only stranded 0.09 in jacketed wires with a maximum length of 16ft and a nominal minimum insulation thickness of 0.02 in.

Isolation hubs may be required for every 100W in larger configurations with multiple drivers.  
Isolation hubs shown in red.