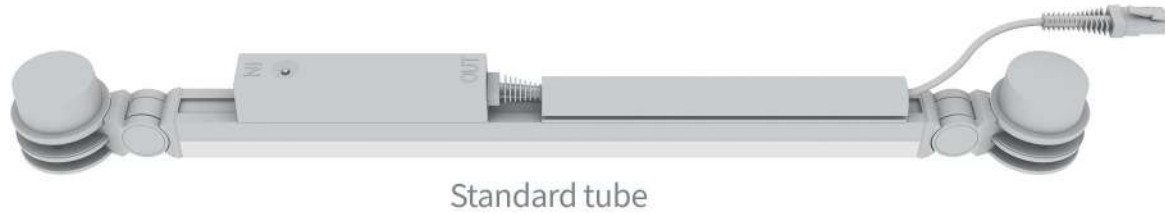


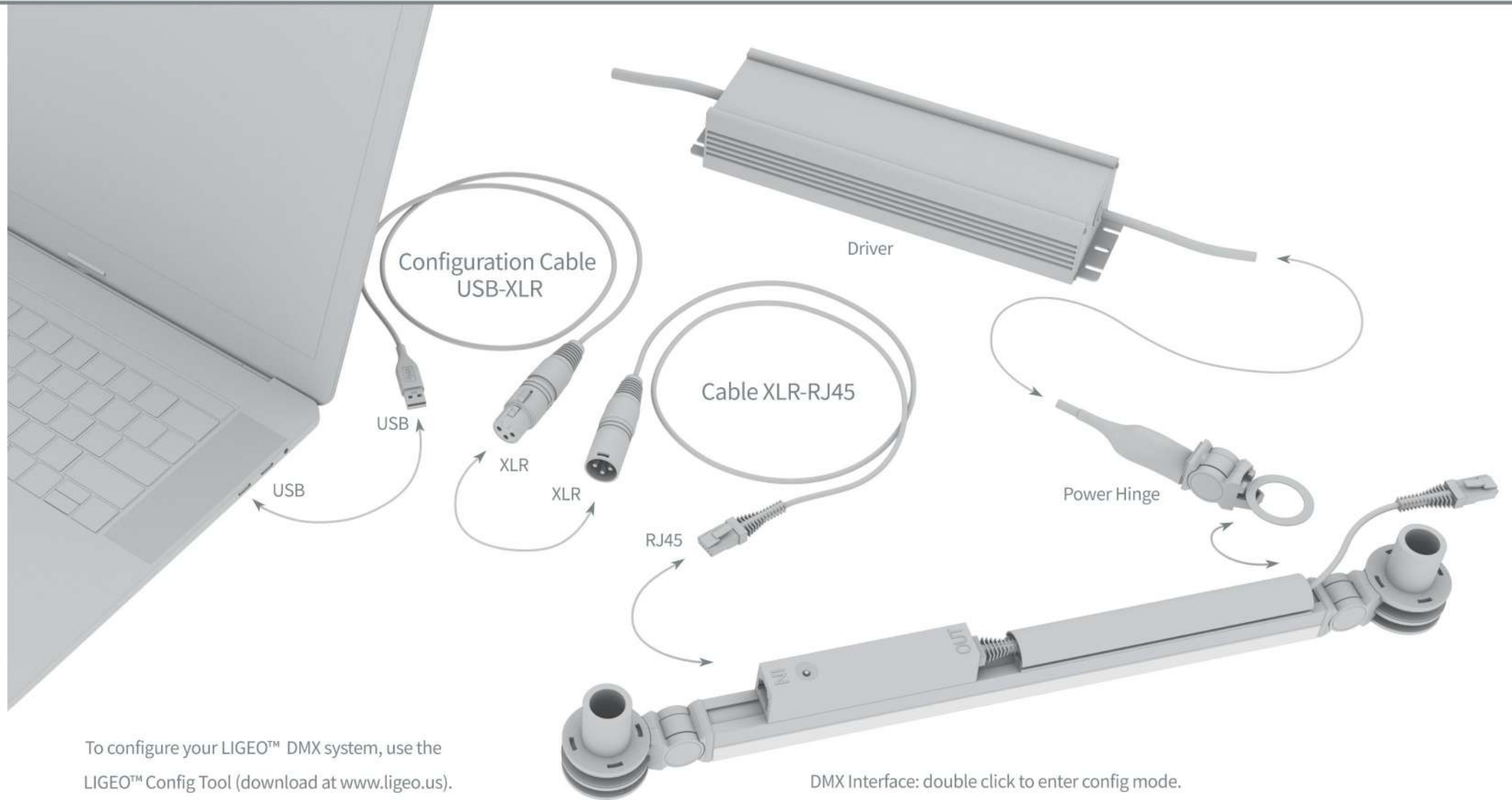
LIGEO™ SLC, Installation Guide

DMX Unboxing



LIGEO™ SLC, Installation Guide

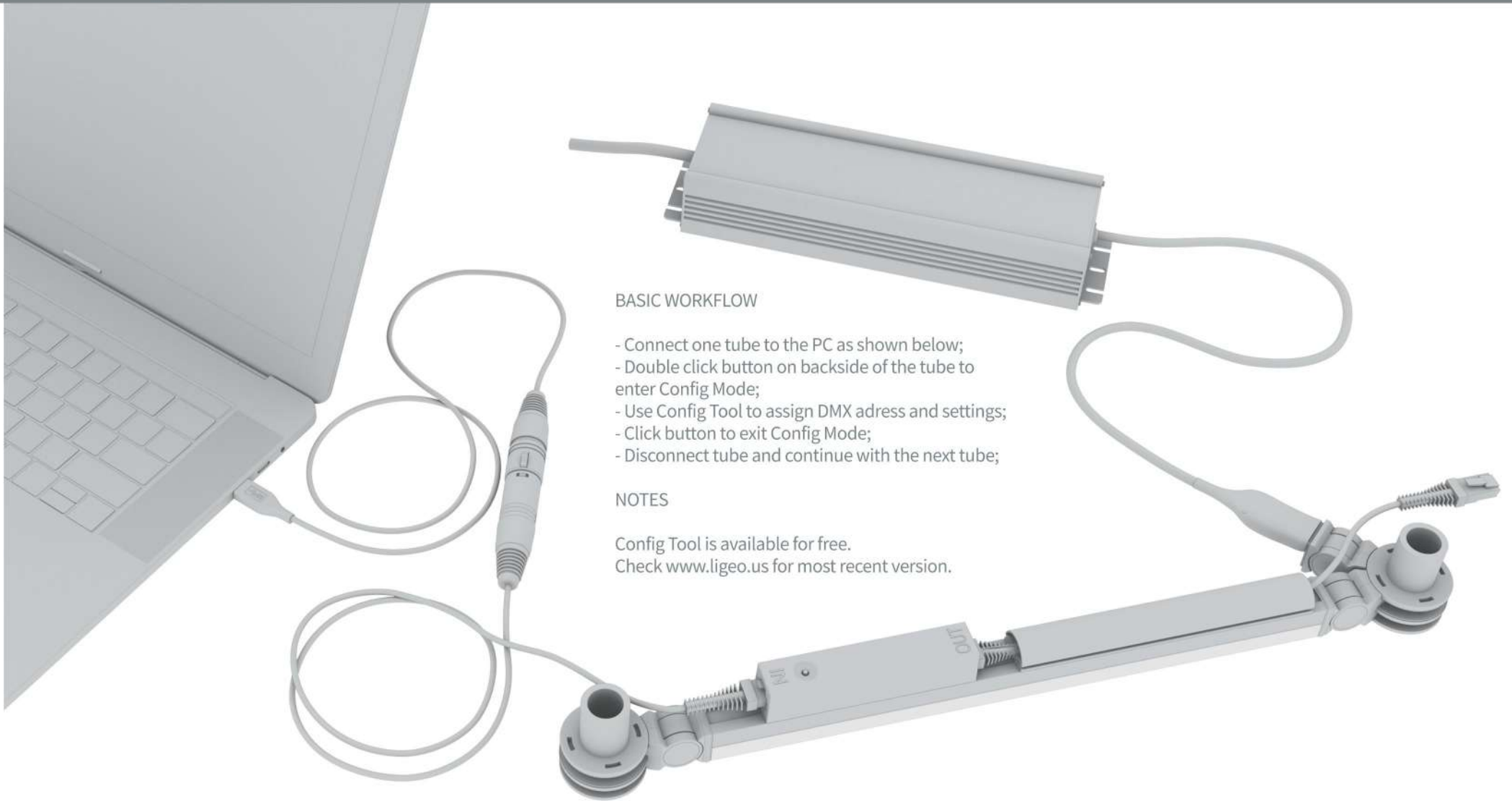
DMX Wiring Up



To configure your LIGEO™ DMX system, use the LIGEO™ Config Tool (download at www.ligeo.us).

LIGEO™ SLC, Installation Guide

DMX Connecting All Together



BASIC WORKFLOW

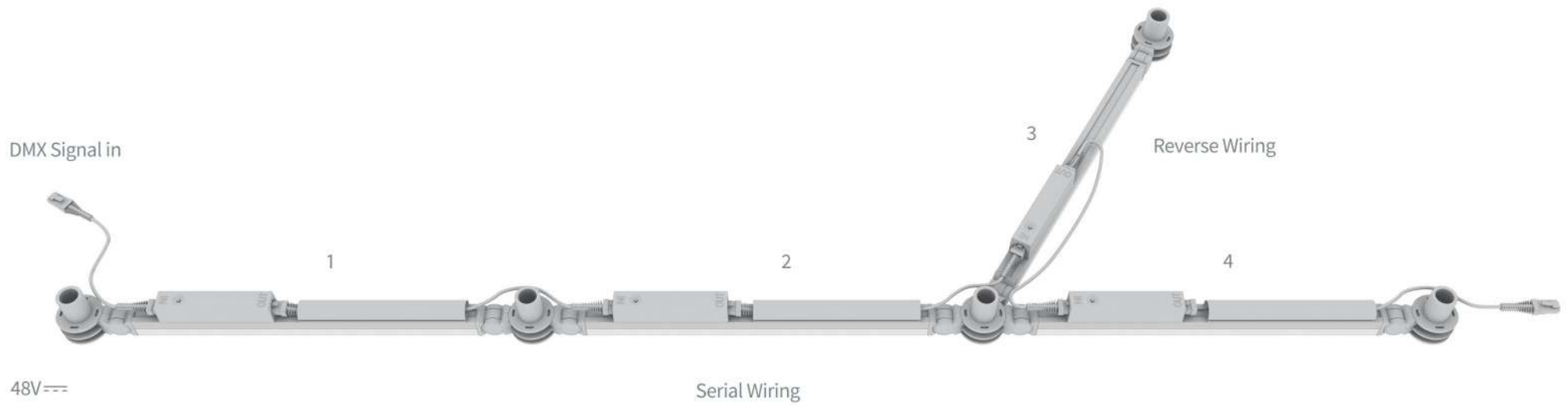
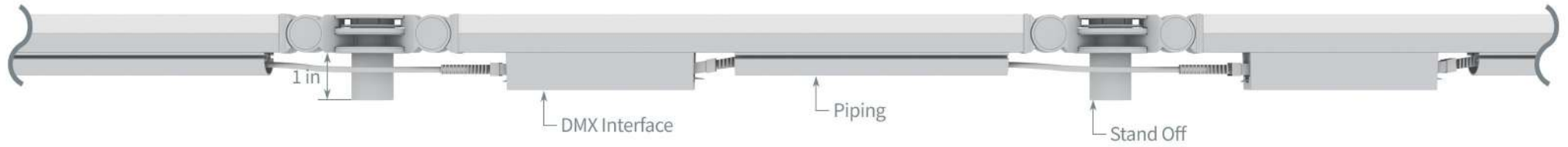
- Connect one tube to the PC as shown below;
- Double click button on backside of the tube to enter Config Mode;
- Use Config Tool to assign DMX address and settings;
- Click button to exit Config Mode;
- Disconnect tube and continue with the next tube;

NOTES

Config Tool is available for free.
Check www.ligeo.us for most recent version.

LIGEO™ SLC, Installation Guide

DMX Wiring Serial



NOTES

GENERAL NOTES:

- All electrical connections must be adapted to local requirements and the corresponding basic insulation must be provided.
- The light source of this luminaire is not replaceable.
- When the light source reaches its end of life, the whole luminaire should be replaced.
- Make all electrical and hub connections with power off.
- Use isolated screws for all connected power hubs.
- 4 lbs max. load per LIGEO™ SL.
- Mount one of both caps (flat cap or high cap- both for free in the delivery of each hub) on free-floating hubs.



High Cap



Flat Cap

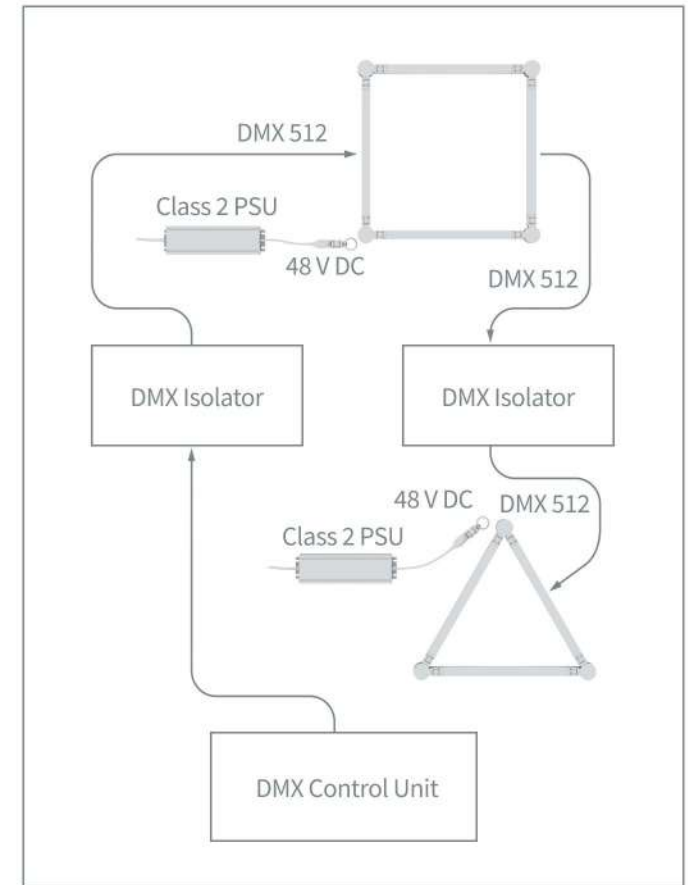
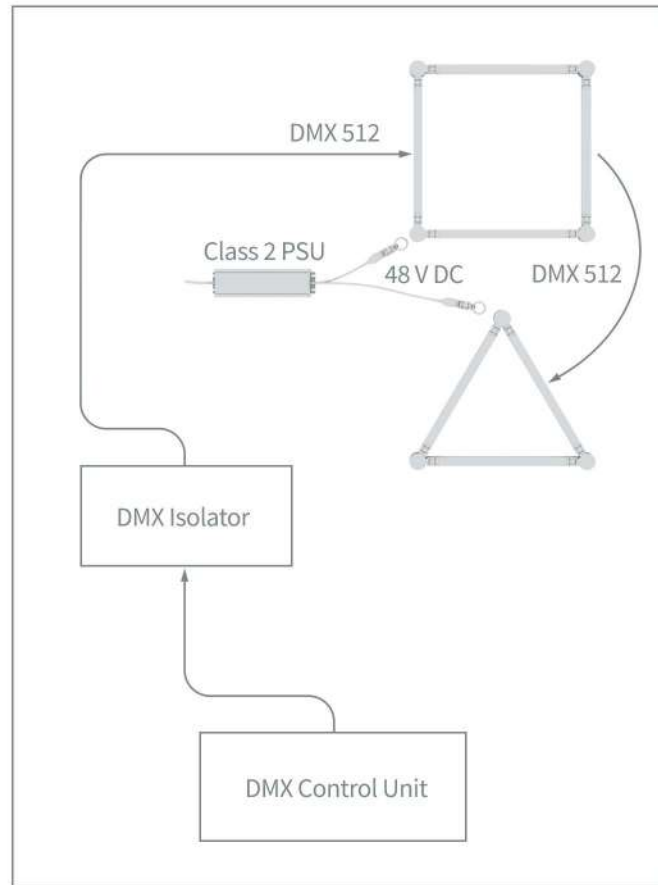
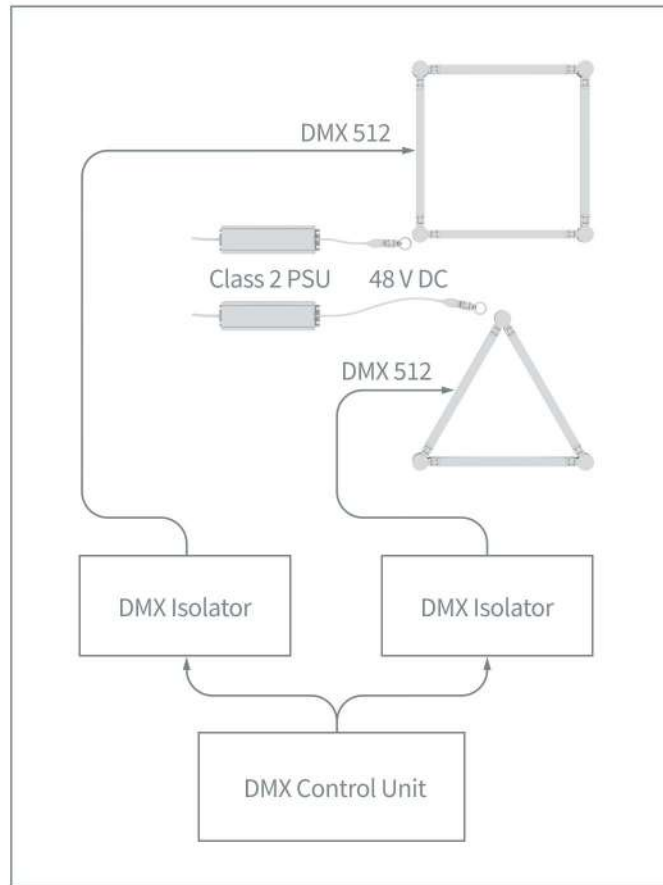
DMX SYSTEM NOTES:

- The integral DMX interface is part of the luminaire and cannot be replaced.
- If the DMX interface is damaged the whole luminaire will need to be replaced.

POWER SUPPLY OPTIONS

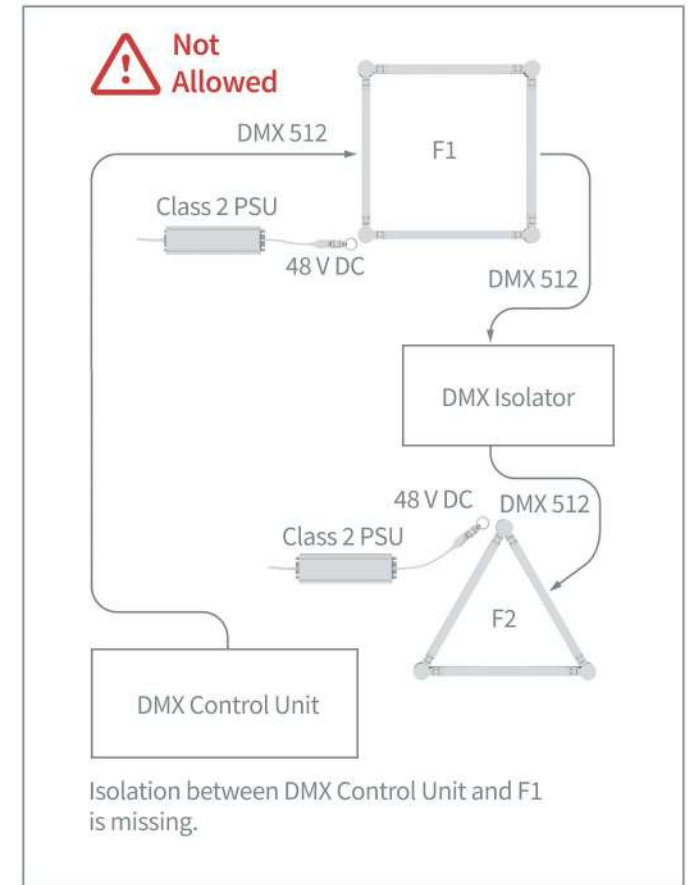
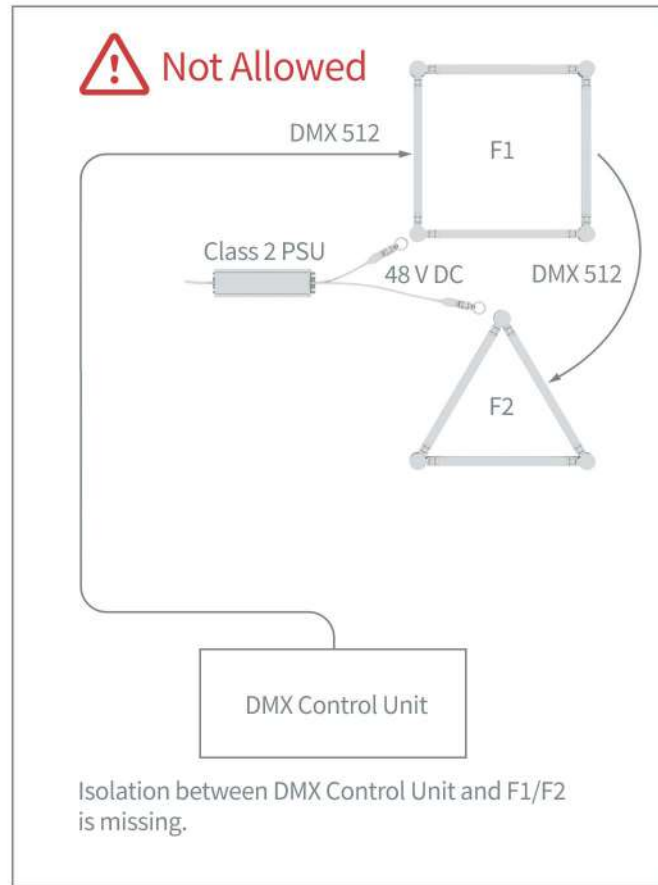
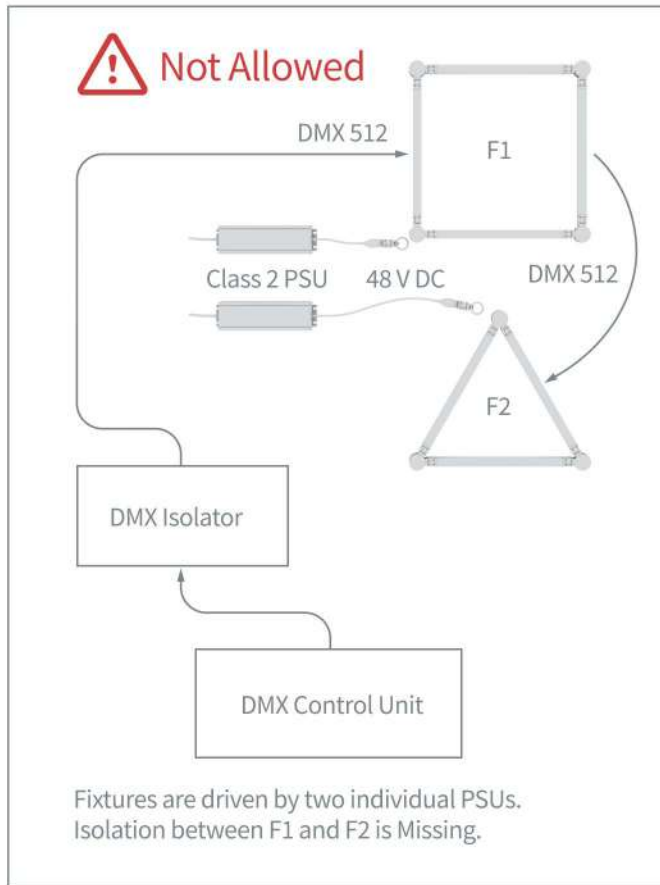
- Max. 320W/hub.
- Electricity can be looped through.
- System not compatible with other lamps.
- Use only independent and certified control gears, according to the IEC 61347-2-13, with Constant Voltage SELV Output: 48 V DC.
- No unusual mechanical stresses on the cable.
- Isolate all open wire ends of power supply units.

DMX SETUP AND ISOLATION REQUIREMENTS



Each product has one DMX input and one DMX output.
 The input and output of each controller are passively connected.
 So, if one controller fails, the remaining controllers are not affected by this.
 A maximum of 64 tubes can be connected in one row.

NOT ALLOWED



There is no isolation (galvanic/optic) included in the DMX interfaces of the products. Therefore, it is necessary to use external isolators for proper functioning of the products and achieving the isolation requirements. It must be ensured that each group of fixtures is isolated from the DMX Control Unit and from other fixture groups. Please see pictures on this side and next side. The DMX Isolators should be placed as close as possible to the tube it is connected to.