

# LIGEO™ SL, Configurable Slim Line LED Surface & Pendant Mount

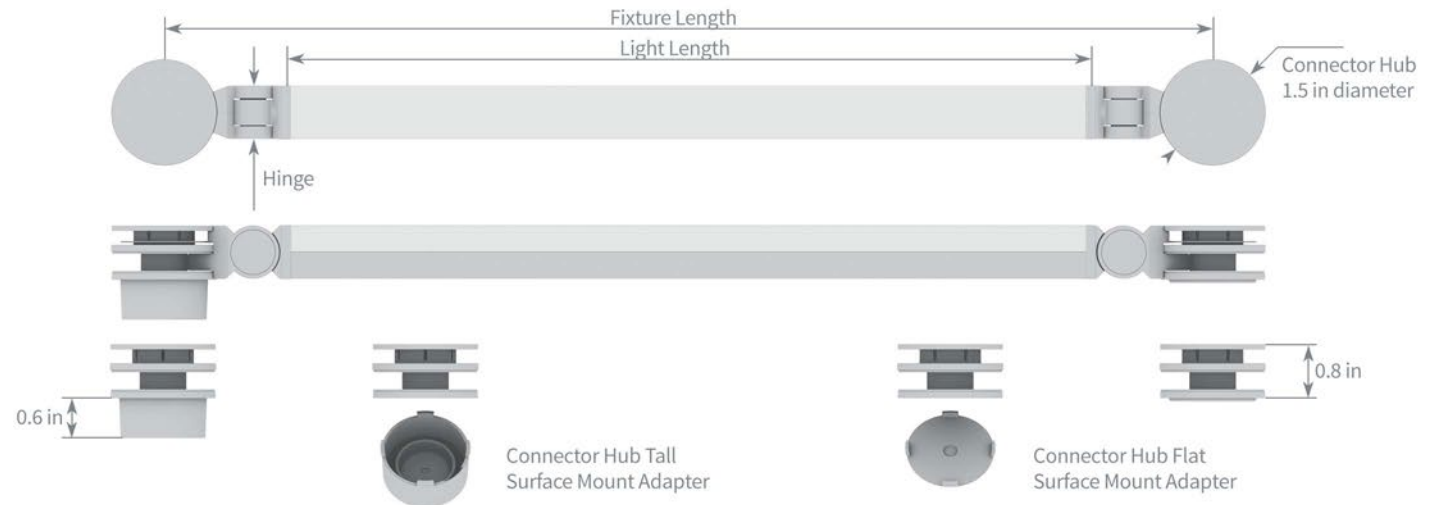


## Features & Benefits

The perfect marriage of form and function. The sleek 3/4" profile provides for a modern look and feel. The custom built high performance LED boards make the SL suitable for general illumination with 480 delivered lumens per foot. LIGEO™ SL features patented hub technology for quick and easy installation, with minimal wiring. Thoughtful engineering behind the hub design integrates both the electrical connection between fixtures and serves as the suspension or surface mounting points.

Unlike traditional commercial lighting fixtures, the LIGEO™ SL system is configurable in the field and can easily be expanded or modified after installation. Design with infinite creativity and endless possibilities configuring your own 2D and 3D shapes. The LIGEO™ SL is the perfect solution for hospitality, office, retail, healthcare and educational application.

## LIGEO™ SL



# LIGEO™ SL, Specification Guide

## Specifications

### Construction

- Extruded aluminum housing with injection molded hubs. Anodised metal finish.
- Acrylic lens and gasketed end caps.
- 4 lb maximum load per LIGEO™ SL.

### LED System

- Boards custom designed and fabricated for LIGEO™ SL.
- FR4 PCB with premium LEDs, RoHS compliant.
- 80+ CRI across 3000K and 4000K CCTs.
- Operating temperature ranges from 32° F to 104° F (0° C to 40° C).

### Lifetime & Warranty

- Lifetime calculated: L70 > 60,000 hours with an ambient operating temperature of 25° C.
- 5 year limited warranty. For details please see our warranty document.

### Electrical

- Constant voltage Class 2 driver.
- Standard 120-277V universal drivers.
- All fixtures require a power hinge. The power hinge has a 15' leader cable with flying leads.
- Power hinge leader cable is 2 conductor 13 AWG.
- Maximum 100 Watts per power hinge per UL, 320W per power hinge possible.
- Maximum distance from power hinge to driver is 100' using 13 AWG cable.

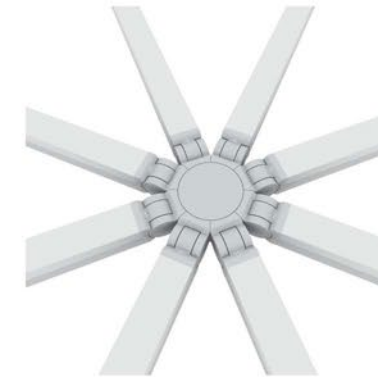
### Dimming

- Dimming range from 0 - 100% (depending on driver).
- 0-10V standard.
- DMX, DALI and Bluetooth dimming control available, interface required.

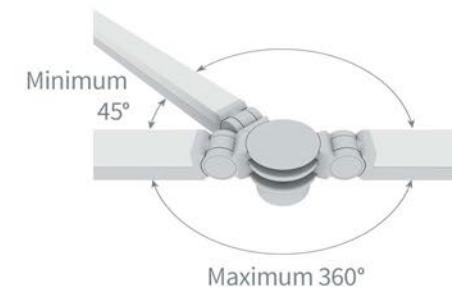
### Lables

- Listed to UL standards for dry locations only.

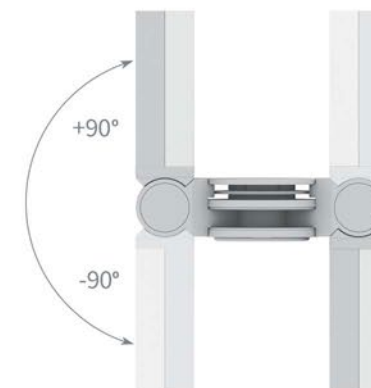
## Configuration Details



Maximum 8 fixtures  
per hub.



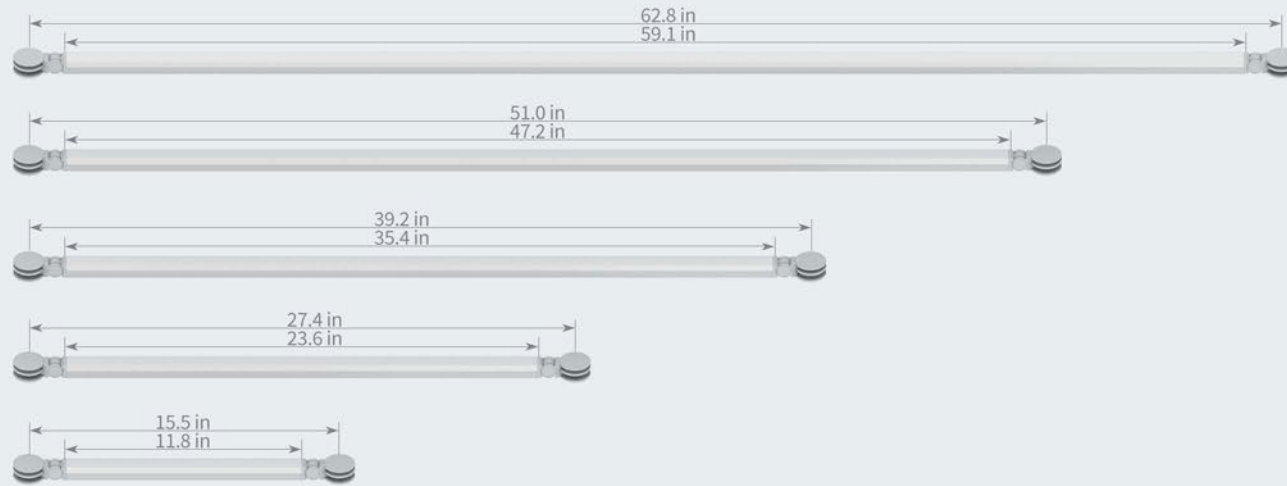
360° Rotation  
around each hub.  
Minimum 45°  
between fixtures.



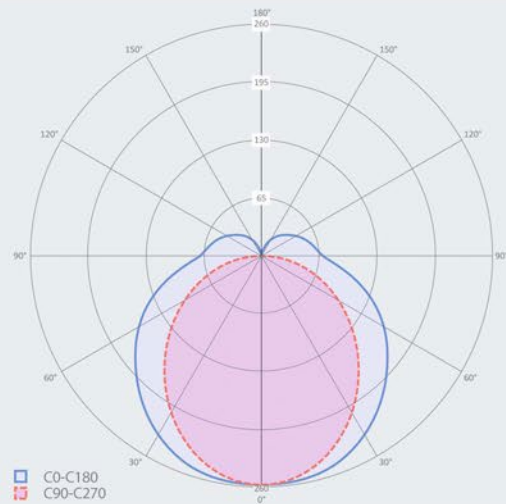
Maximum tilt 90°  
up and down.

# LIGEO™ SL, Specification Guide

## Dimensions



## Photometry



### Polar Chart

Symmetrical lighting distribution in the C0-180 area (perpendicular to the longitudinal axis of the lamp) and the C90-270 area (along the longitudinal axis of the body of the lamp).

The light distribution and beam spread remains the same for all fixtures. Performance varies by length. Please refer to the part number matrix on page 4 for delivered lumens, LPW and wattage for each fixture.

■ C0-C180  
■ C90-C270

Standard Finishes: White, Silver, Gold & Black.

Custom colors are available upon request, please consult your sales representative for a quote.



## Color Specifications

Three standard color selections:

3000K

4000K








5300K





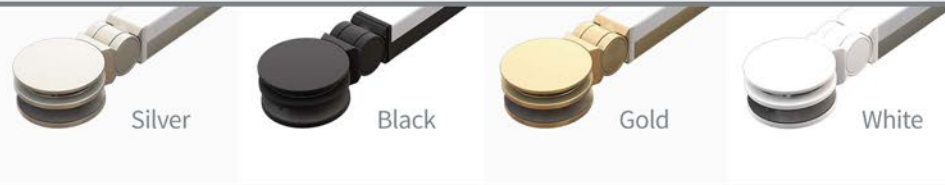
# LIGEO™ SL, Specification Guide

## Part Numbers

	 Silver Order Number	 Black Order Number	 Gold Order Number	 White Order Number	Light Length (in)	Fixture Length (in)	Weight (lbs)	Delivered Lumens	Power (W)	CRI	Lumens Per Watt
WARM WHITE	29003010130	29003020130	29003030130	29003040130	11.8	15.5	0.3	492	5.7	80+	86.3
3000K	29006010130	29006020130	29006030130	29006040130	23.6	27.4	0.5	984	11.4	80+	86.3
Dimmable	29009010130	29009020130	29009030130	29009040130	35.4	39.2	0.6	1476	17.1	80+	86.3
	29012010130	29012020130	29012030130	29012040130	47.2	51.0	0.8	1968	22.8	80+	86.3
	29015010130	29015020130	29015030130	29015040130	59.1	62.8	1.0	2460	28.5	80+	86.3
NEUTRAL WHITE	29003010140	29003020140	29003030140	29003040140	11.8	15.5	0.3	474	5.6	85+	84.6
4000K	29006010140	29006020140	29006030140	29006040140	23.6	27.4	0.5	949	11.3	85+	84.0
Dimmable	29009010140	29009020140	29009030140	29009040140	35.4	39.2	0.6	1423	16.9	85+	84.2
	29012010140	29012020140	29012030140	29012040140	47.2	51.0	0.8	1897	22.6	85+	84.0
	29015010140	29015020140	29015030140	29015040140	59.1	62.8	1.0	2372	28.2	85+	84.1
COOL WHITE	29003010150	29003020150	29003030150	29003040150	11.8	15.5	0.3	507	5.6	85+	90.5
5300K	29006010150	29006020150	29006030150	29006040150	23.6	27.4	0.5	1015	11.3	85+	89.8
Dimmable	29009010150	29009020150	29009030150	29009040150	35.4	39.2	0.6	1522	16.9	85+	90.1
	29012010150	29012020150	29012030150	29012040150	47.2	51.0	0.8	2030	22.6	85+	89.8
	29015010150	29015020150	29015030150	29015040150	59.1	62.8	1.0	2537	28.2	85+	90.0

# LIGEO™ SL, Specification Guide

## Part Numbers



### ACCESSORIES

	Silver	Black	Gold	White
Power Hinge Cable	39020180301	39020180302	39020180303	39020180304
Connector Hub	39021000001	39021000002	39021000003	39021000004
Connector Hub isolated	39022000001	39022000002	39022000003	39022000004
Suspended Hub	39021001001	39021001002	39021001003	39021001004
Suspended Hub isolated	39022001001	39022001002	39022001003	39022001004

### NOTES:

Surface mount adapters both tall and flat are included with each hub.  
 Isolated hubs prevent flow of current between fixtures that are tied to different power supplies and may be required for larger installations.

# LIGEO™ SL, Specification Guide

## Accessories & System Assembly

### Accessories



Suspension Hub.



Connector Hub.



Power Hinge.

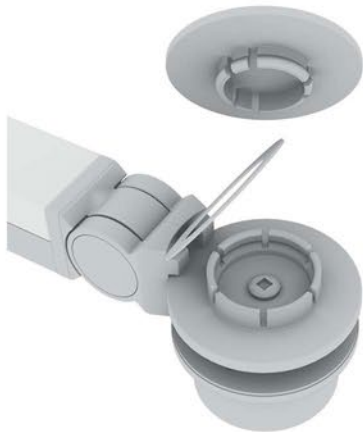


Connector Hub Tall Surface Mount Adapter.



Connector Hub Flat Surface Mount Adapter.

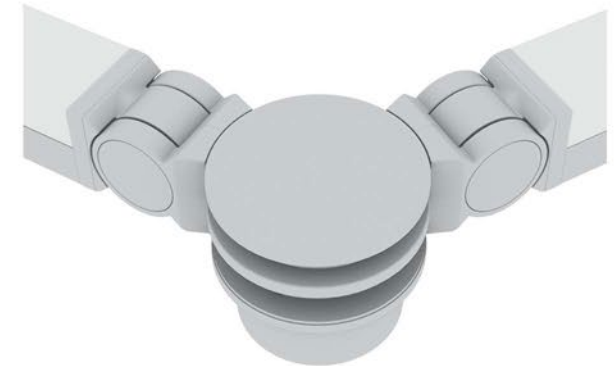
### System Assembly



Step 1: Lift metal ring and slide end of LIGEO™ SL into connector hub.



Step 2: Add LIGEO™ SL fixtures to connector hub as needed following step 1.



Step 3: Snap the top cap onto connector hub to secure fixtures in place.

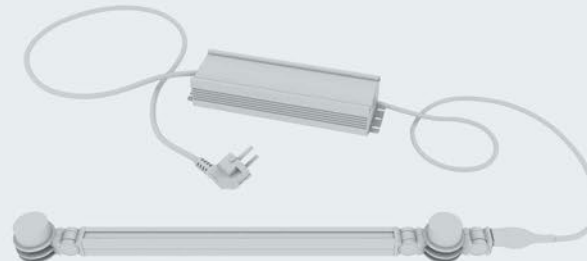
# LIGEO™ SL, Specification Guide

## Drivers & Driver Locations

Central power supply location recommended.



Max run length 17 feet per UL.  
Max run length 49 feet possible.



Max 100W per UL.  
Max 320W per driver possible.  
Multiple drives may be required.



Driver	Part Number
60W 0-10V Dimming	28200105060
80W 0-10V Dimming	28200105080
100W 0-10V Dimming	28200105100

DMX, DALI & Bluetooth drivers available, interface required.  
Contact factory for more information.

NOTES:

All drivers are remote. Max distance from driver to first fixture is 100 feet with 13 AWG cable.

Use only stranded 0.09 in jacketed wires with a maximum length of 16ft and a nominal minimum insulation thickness of 0.02 in.

Isolation hubs may be required for every 100W in larger configurations with multiple drivers.  
Isolation hubs shown in red.